

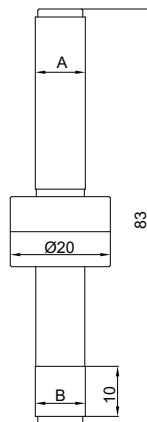
EDGE FINDER



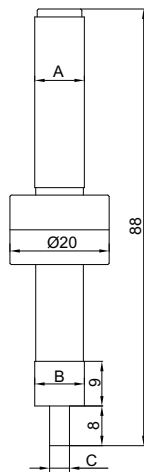
6562-3



6562-4

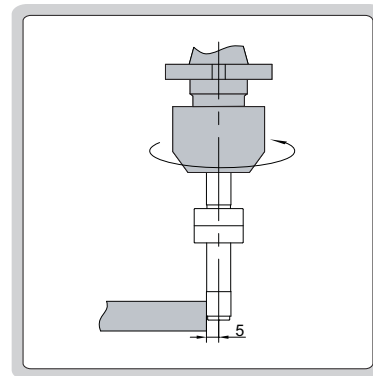


6562-3

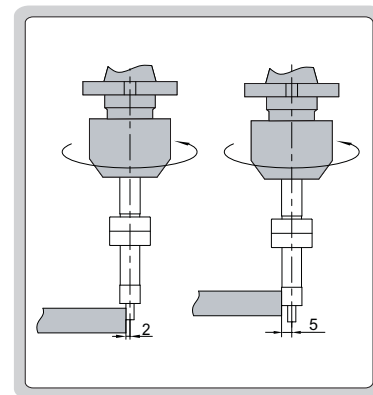


6562-4

Unit: mm



6562-3



6562-4

- Hardened shank and contact point

Code	Shank (A)	Contact point(B)	Contact point(C)	Accuracy
6562-3	Ø10mm	Ø10mm	—	5µm
6562-4	Ø10mm	Ø10mm	Ø4mm	5µm